



# SMART Transmitter Power Supply KFD2-STC4-Ex1.20

SIL 3

- 1-channel isolated barrier
- 24 V DC supply (Power Rail)
- Input 2-wire and 3-wire SMART transmitters and 2-wire SMART current sources
- Signal splitter (1 input and 2 outputs)
- Dual output 0/4 mA ... 20 mA
- Terminal blocks with test sockets
- Up to SIL 3 acc. to IEC 61508

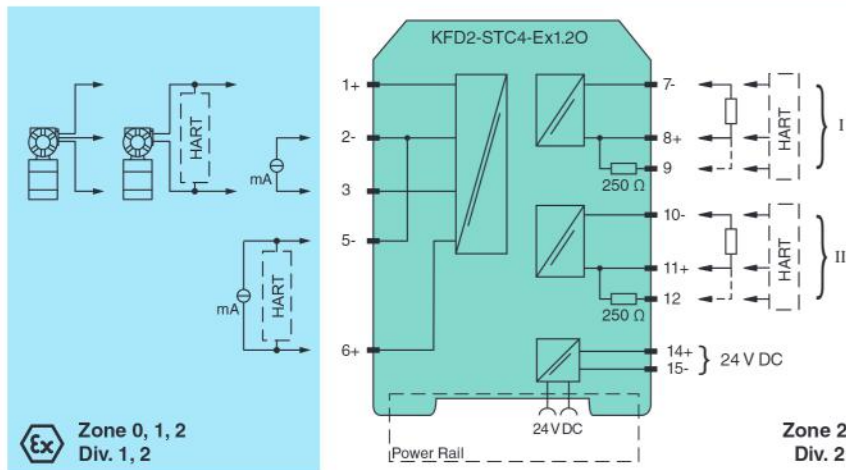
Input 0/4 mA ... 20 mA 2 x Output 0/4 mA ... 20 mA



## Function

This isolated barrier is used for intrinsic safety applications. The device supplies 2-wire and 3-wire SMART transmitters in a hazardous area, and can also be used with 2-wire SMART current sources. It transfers the analog input signal to the safe area as an isolated current value. Digital signals may be superimposed on the input signal in the hazardous or safe area and are transferred bi-directionally. If the HART communication resistance in the loop is too low, the internal resistance of 250 Ω between terminals 8 and 9 can be used. Test sockets for the connection of HART communicators are integrated into the terminals of the device.

## Connection



## Technical Data

### General specifications

Signal type Analog input

### Functional safety related parameters

Safety Integrity Level (SIL) SIL 3

### Supply

Connection Power Rail or terminals 14+, 15-

Rated voltage  $U_r$  20 ... 35 V DC

Ripple within the supply tolerance

Power dissipation 1.8 W

Power consumption 2.4 W

Release date: 2020-09-23 Date of issue: 2020-09-23 Filename: 283674\_eng.pdf

Refer to "General Notes Relating to Pepperl+Fuchs Product Information".

Pepperl+Fuchs Group  
www.pepperl-fuchs.com

USA: +1 330 486 0002  
pa-info@us.pepperl-fuchs.com

Germany: +49 621 776 2222  
pa-info@de.pepperl-fuchs.com

Singapore: +65 6779 9091  
pa-info@sg.pepperl-fuchs.com

**PF** PEPPERL+FUCHS